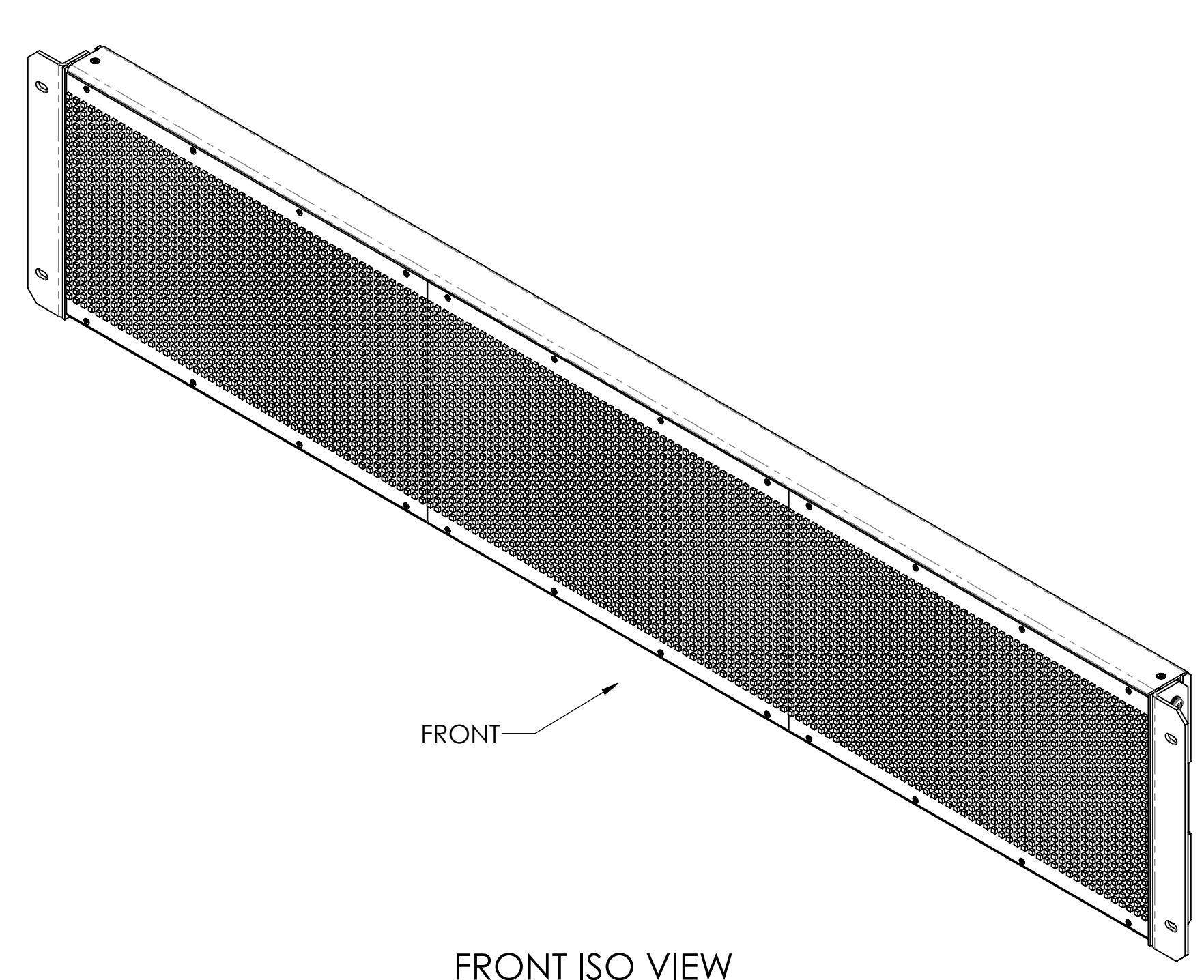
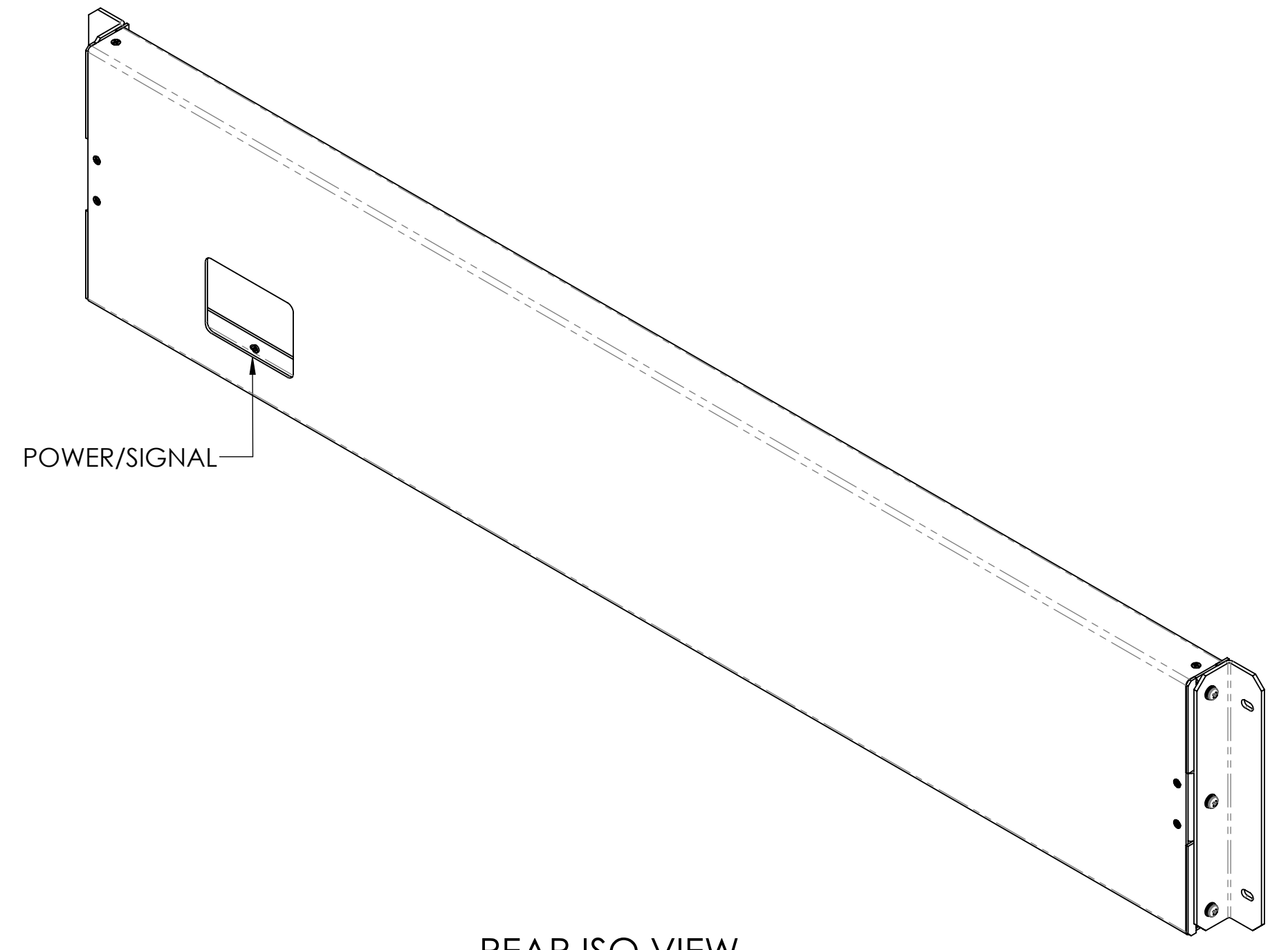


REVISIONS					
ECN	REV.	DESCRIPTION	DATE	DRAFTED BY	APPROVED BY
	A.00	INITIAL RELEASE	2/23/2023	AU	SB MW



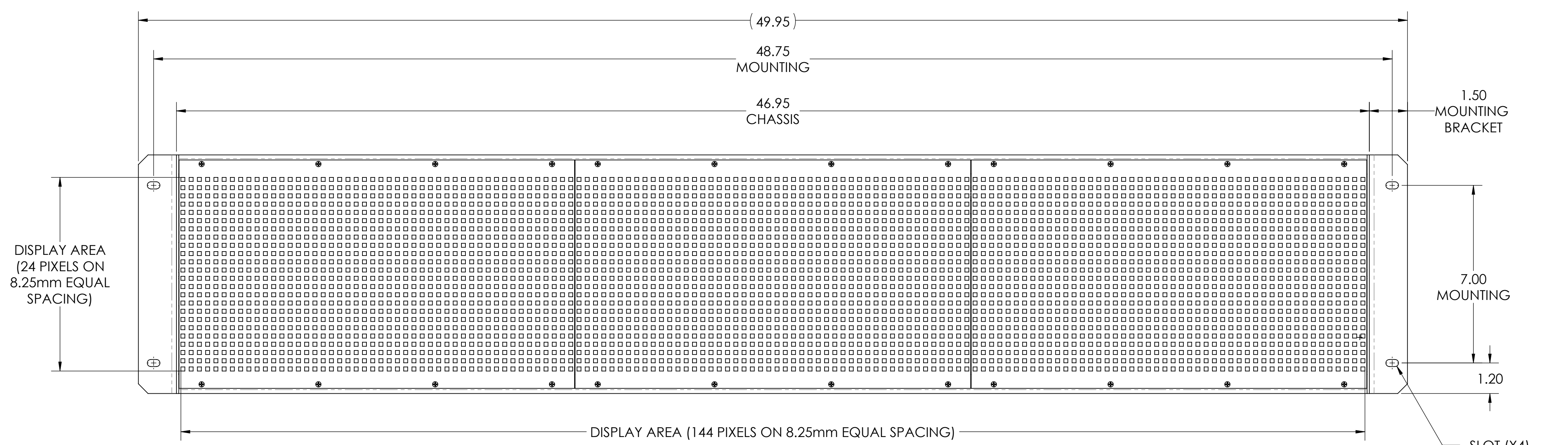
FRONT

FRONT ISO VIEW

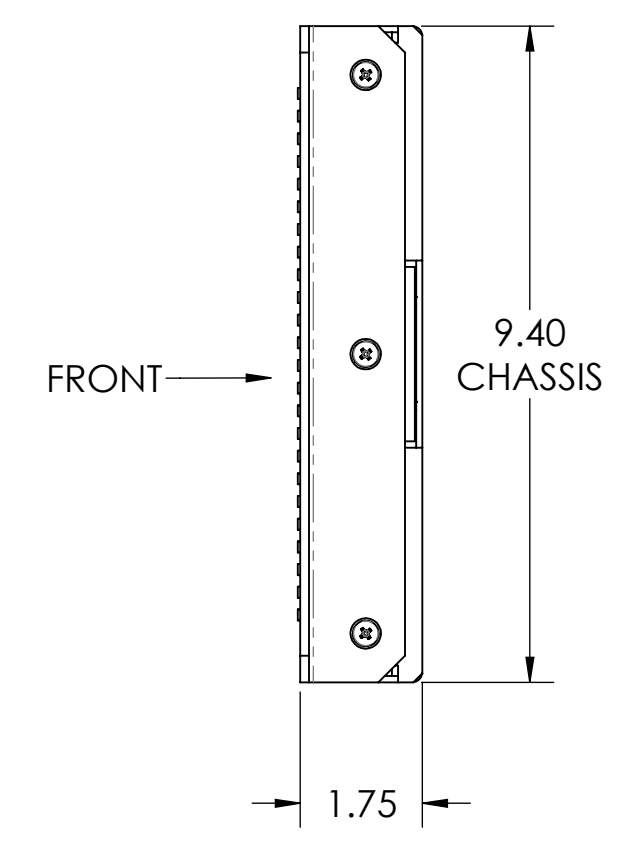


POWER/SIGNAL

REAR ISO VIEW



FRONT VIEW  
DISPLAY SIDE



SIDE VIEW

**SPECIFICATIONS:** (ALL INFORMATION SHOWN IS SUBJECT TO CHANGE WITHOUT NOTICE. CONSULT WITH SUNRISE SESA TECHNOLOGIES TO CONFIRM CURRENT SPECIFICATIONS)

- DIMENSIONS SHOWN ARE APPROXIMATE (+/- 1")
- DISPLAY MATRIX: FULL - 24 HORIZONTAL ROWS X 144 VERTICAL COLUMNS; BLACK BACKGROUND
- PIXEL PITCH: 8.25mm
- COLOR: FULL COLOR
- ELECTRICAL REQUIREMENTS: INPUT VOLTAGE 12VDC  
TOTAL POWER - 195 WATTS (16.25A @ 12V)
- FINISH FOR ALL CHASSIS SURFACES: BLACK POWDERCOAT
- FINISH FOR MOUNTING BRACKETS: UNPAINTED (STANDARD MILL)
- POWER/SIGNAL CONDUIT ACCESS: LOCATED AT REAR SURFACE
- MOUNTING CONFIGURATION: SLOTTED ANGLE BRACKETS LOCATED ON BOTH SIDES ARE PROVIDED WITH SIGN UNIT
- OPTIONAL EQUIPMENT MAY BE SHOWN FOR REFERENCE. CONSULT WITH SUNRISE SESA TECHNOLOGIES FOR ACTUAL SIGN CHARACTERISTICS.

PROPRIETARY AND CONFIDENTIAL THIS DRAWING CONTAINS CONFIDENTIAL INFORMATION PROPRIETARY TO SUNRISE SESA TECHNOLOGIES. IT MUST NOT BE REPRODUCED OR DISCLOSED TO OTHERS OR USED IN ANY OTHER WAY, IN WHOLE OR IN PART, EXCEPT AS AUTHORIZED IN WRITING BY SUNRISE SESA TECHNOLOGIES.	MATERIAL	SEE NOTES	SUNRISE SESA TECHNOLOGIES 720 WASHINGTON ST PEMBROKE, MA 02359
	FINISH	SEE NOTES	
THIRD ANGLE PROJECTION	ESTIMATED WEIGHT	10.5 LBS. APPROX.	DRAWING DESCRIPTION: <b>BUS SERIES</b> FRONT SIGN, P8.25mm-24X144 MATRIX, FULL COLOR
SHEET SIZE D	DWG. NO. MSD-021423-00	SCALE NTS PRINTED DOCUMENTS ARE NOT REV CONTROLLED	REV. A.00 1 of 1